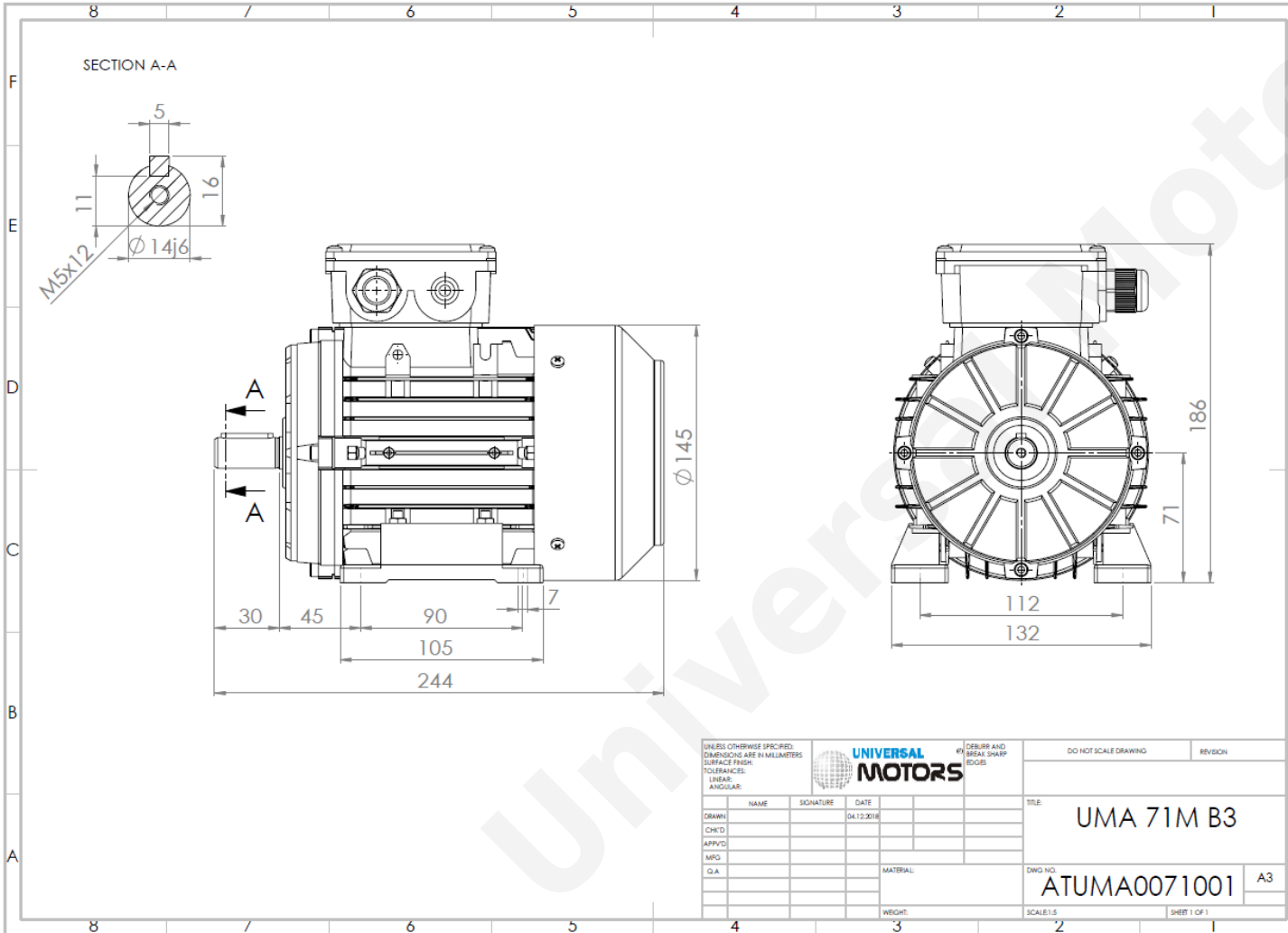




# TECHNICAL DATA

Three Phase Electric Motors - Aluminum Frame  
 UM2A 71M2-4  
 0.37 kW / 0.50 Cv  
 1400 RPM



Motor type:	<b>UM2A 71M2-4</b>
Output:	<b>0.37 kW / 0.50 Cv</b>
Speed (min <sup>-1</sup> ):	<b>1400 RPM</b>
Frequency:	<b>50 Hz</b>
Voltage:	<b>400 V</b>
Current:	<b>1.01 A</b>
Power factor (Cos Ø):	<b>0.73</b>
Poles:	<b>4</b>
Insulation class:	<b>F</b>
Temperature rise Class:	<b>B</b>
Efficiency 50%:	<b>69.2 %</b>
Efficiency 75%:	<b>73.0 %</b>
Efficiency 100%:	<b>72.7 %</b>
Torque:	<b>2.55 N.m</b>
Tstarting/Tnominal:	<b>2.4</b>
Istarting/Inominal:	<b>4.7</b>
Tmaximum/Tnominal:	<b>2.5</b>
Noise:	<b>55 Db(A)</b>
Weight:	<b>6.3 Kg</b>
Brake AC:	<b>AC2</b>
Torque Brake DC:	<b>4 N.m</b>
Bearing DE:	<b>6202 2Z</b>
Bearing NDE:	<b>6202 2Z</b>
Torque Brake AC:	<b>15 N.m</b>
Brake DC:	<b>REB-05-06</b>

**Regime - S1**

**Altitude - 1000m**

**Environment Temperature - 40°C**

**CONTACTS:**

UNIVERSAL MOTORS      Tel: +351 252 299 080  
 Rua de São Brás,745      Fax: +351 252 299 089  
 4480-782 VILA DO CONDE      Mail: [geral@universalmotors.pt](mailto:geral@universalmotors.pt)

\* References applied only in the UK